

E21 6Cyl 6Coil Ext Drv

Last Changed: 14/11/2012

Drawing Ver: 1.0

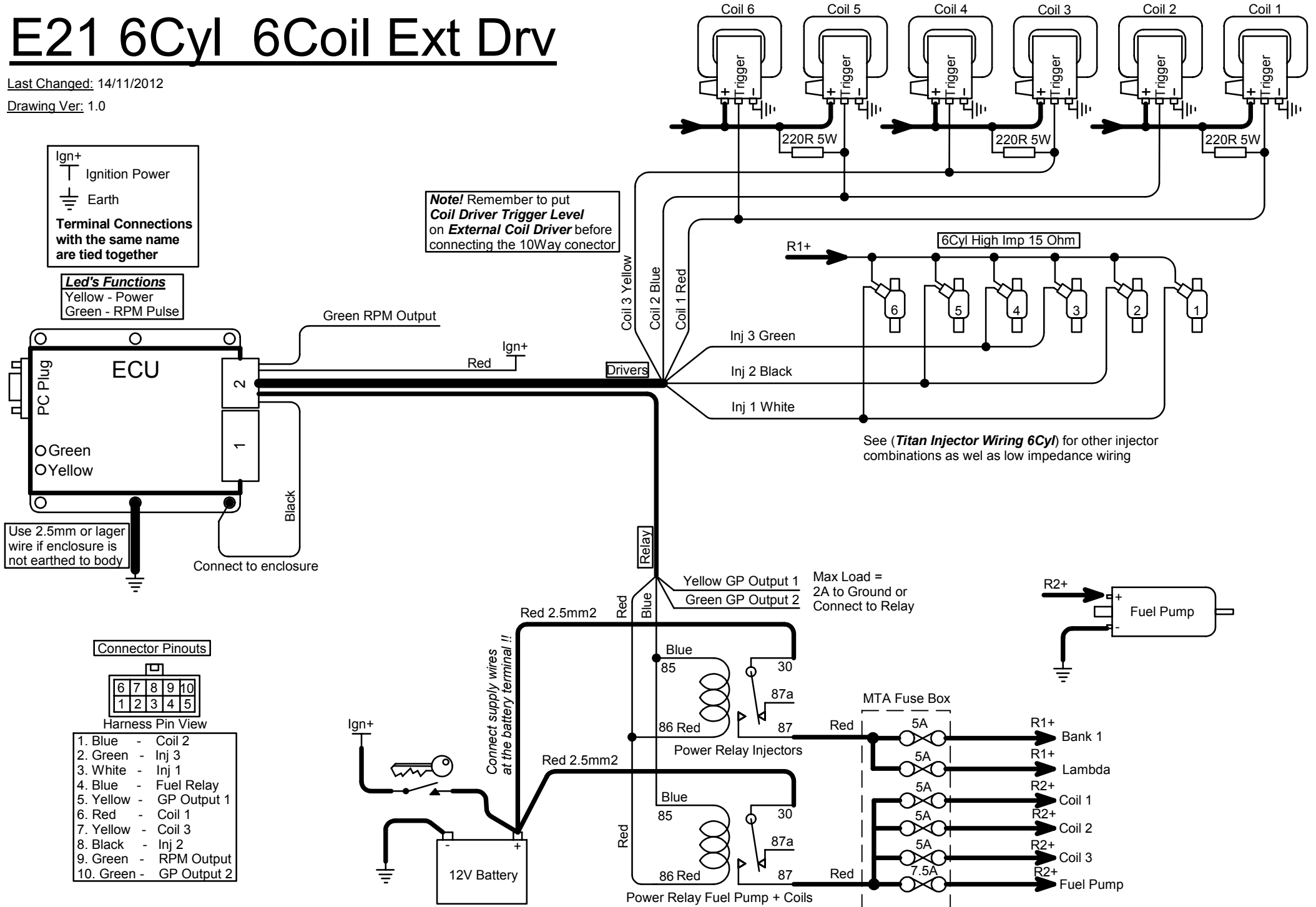
Ign+
 |
 Ignition Power

 Earth

 Terminal Connections
 with the same name
 are tied together

Led's Functions
 Yellow - Power
 Green - RPM Pulse

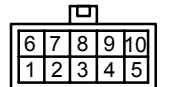
Note! Remember to put **Coil Driver Trigger Level** on **External Coil Driver** before connecting the 10Way connector



Use 2.5mm or larger wire if enclosure is not earthed to body

Connect to enclosure

Connector Pinouts



Harness Pin View

- 1. Blue - Coil 2
- 2. Green - Inj 3
- 3. White - Inj 1
- 4. Blue - Fuel Relay
- 5. Yellow - GP Output 1
- 6. Red - Coil 1
- 7. Yellow - Coil 3
- 8. Black - Inj 2
- 9. Green - RPM Output
- 10. Green - GP Output 2

Max Load = 2A to Ground or Connect to Relay

Connect supply wires at the battery terminal !!

MTA Fuse Box

